

JAPANESE TILE WORLD

YUKAGE

Capturing the warm tranquility of a Japanese bath, these tiles' subtle texture and calming colors create a relaxing atmosphere.

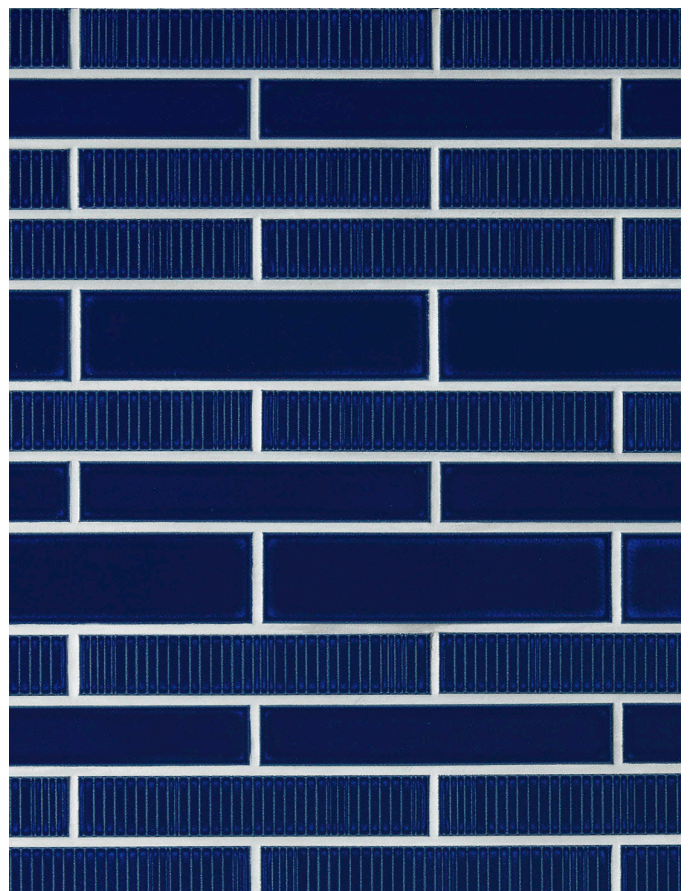




DTL-40B/YGE-1B, DTL-40B/YGE-1, DTL-2/YGE-1



DTL-40B/YGE-1B, DTL-40B/YGE-1, DTL-2/YGE-1

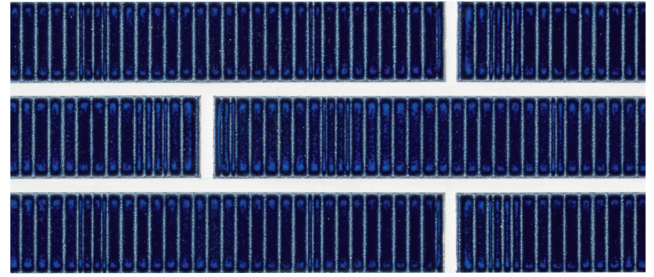


DTL-40B/YGE-3B, DTL-40B/YGE-3, DTL-2/YGE-3

FIELD



YGE-1B
White



YGE-3B
Navy Blue



40B/YGE-1
White



40B/YGE-3
Navy Blue



2/YGE-1
White



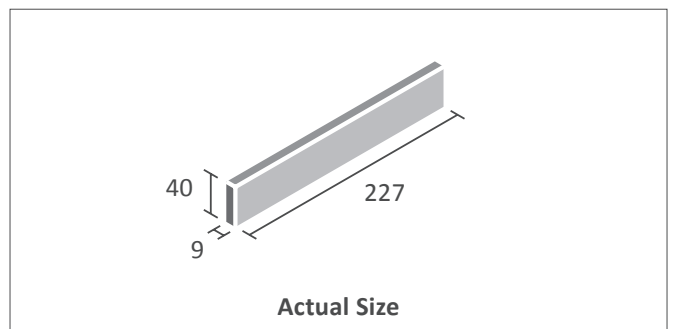
2/YGE-3
Navy Blue

Field Tile (Border)

DTL-40B/YGE-1B...YGE-3B (Relief B)

DTL-40B/YGE-1...YGE-3 (Plain)

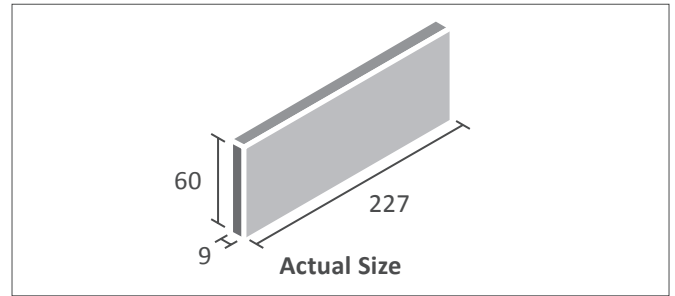
Material	Porcelain/Glazed
Size/pc	227×40 mm / 8.94"×1.57"
Thickness	9 mm
Joint	5 mm
Sqr/Box	0.93 sqm / 10.01 sq.ft.
Qty/Box	90 pcs
Wgt/Box	15.4 kg / 34 lbs (Relief B) 15.7 kg / 34.6 lbs (Plain)



Field Tile (227x60)

DTL-2/YGE-1...YGE-3

Material	Porcelain (Glazed)
Size/pc	227x60 mm / 8.94"x2.36"
Thickness	9 mm
Joint	5mm
m.ft/Box	0.90 m / 9.69 ft.
Qty/Box	60 pcs
Wgt/Box	15 kg / 33.1 lbs



RECOMMENDATIONS

Commercial Wall	Interior Wall	Shower Wall	Exterior Floor	Shower Floor
Yes	Yes	Yes	No	No

SHADE VARIATIONS

—	—	YGE-1, YGE-1B, YGE-3, YGE-3B	—

*Please note: variations in color, shade, surface texture and size are natural characteristics of all our products and should be expected. Images shown are representative, but may not indicate all variations in these characteristics.

MAINTENANCE

- First, clean tiles with a damp sponge or soft brush with plain water prior to utilizing
- If dirt persists, wipe the area with mild detergent and water on a sponge or soft brush. Rinse with clean water.
- Do not use acid or alkaline solution to clean tile.
- Do not use steel pads or brushes to clean tile as it may cause surface damage.
- Paint or graffiti can be removed using thinners.
- Consult professional service for more extensive cleaning needs.

