



# QUARRY TILE

METROPOLITAN CERAMICS



METROPOLITAN<sup>®</sup>  
CERAMICS

*Ironrock Since 1866*



# PRODUCTS OVERVIEW

# QUARRY TILE

# METROPOLITAN CERAMICS



## QUARRYBASICS®

Unglazed ceramic tile in natural, through-the-body colors for demanding applications indoors and out.



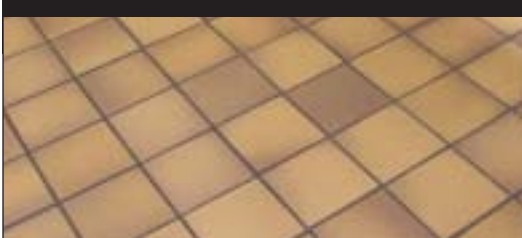
## METRO TREAD®

Features nine raised treads across the surface of each tile for **added slip resistance**.  
*COF of at least 0.90 dry and 0.70 wet at time of manufacture.*



## QUARRYBASICS® X-COLORS

Features a metallic additive throughout the body of the tile for **added slip resistance**.  
*COF of at least 0.90 dry and 0.70 wet at time of manufacture.*



## SOMERSET™

Unglazed ceramic tile with **kiln-fired flash** for a variation in depth of color and tone. Combines strong earth tones, mellow ranges and deep hues.



## METRO® PAVERS

Engineered to meet the demands of heavy truck and industrial applications.  
**6" x 9" x 3/4" thick.**



## ECO QUARRY™

Meets the standards for 1/2" thick quarry tile in a **3/8" thick** size. Uses less grout and reduces freight costs.



## METRO® ESQ

Manufactured with a **square edge**. Designed specifically to be used with epoxy grout for a smaller grout joint.

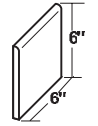
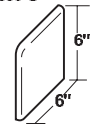
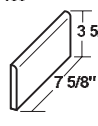
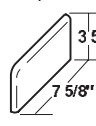
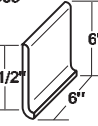
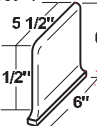
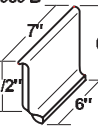
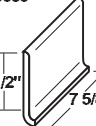
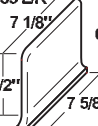
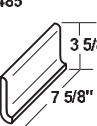
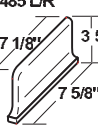
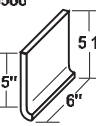
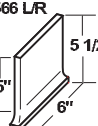
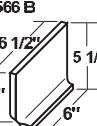
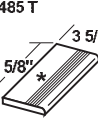
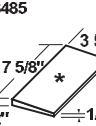
# COLOR SELECTION

09 30 00/IRO  
BUYLINE 1131



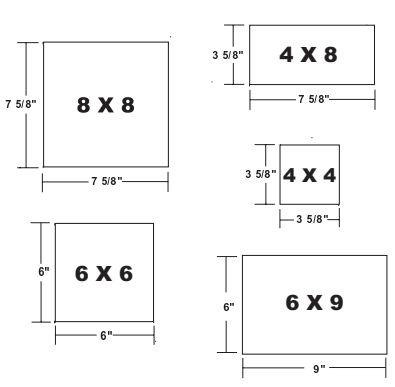
AMERICA'S QUARRY TILE	COMMERCIAL	ARCHITECTURAL
<p><b>QUARRY BASICS</b></p>  <p>Mayflower Red #310</p>  <p>Auburn #220</p>  <p>Adobe #205</p>  <p>Oyster Bay #101</p>  <p>Buckskin #105</p>  <p>Boulevard #107</p>  <p>Chestnut Brown #108</p>  <p>Plaza Gray #505</p>  <p>Puritan Gray #507</p>	<p>METRO ESQ ECO QUARRY METRO PAVERS</p>  <p>Mayflower Red #310</p> <p>METRO ESQ ECO QUARRY</p>  <p>Puritan Gray #507</p> <p>METRO ESQ ECO QUARRY</p>  <p>Buckskin #105</p> <p><b>METRO TREAD</b></p>  <p>Mayflower Red #31T</p>  <p>Puritan Gray #57T</p>  <p>Buckskin #15T</p> <p><b>QUARRYBASICS X-COLORS</b></p>  <p>Commercial Red #31X</p>  <p>Stone Gray #57X</p>  <p>Malibu Beach #15X</p>	<p><b>SOMERSET</b></p>  <p>Harvard Square - #350</p>  <p>Galaxy - #250</p>  <p>Aztec - #255</p>  <p>Cordoba - #458</p>

## TRIM SELECTION

<p>Q1665</p>  <p>Bullnose</p>	<p>Q1665 C</p>  <p>Bullnose Corner</p>	<p>Q1485</p>  <p>Bullnose</p>	<p>Q1485 L/R</p>  <p>Bullnose Corner</p>
<p>Q3565</p>  <p>Cove Base</p>	<p>Q3565 L/R</p>  <p>Cove Base Outside Corner</p>	<p>Q3565 B</p>  <p>Cove Base Inside Corner</p>	<p>Q3585</p>  <p>Cove Base</p>
<p>Q3585 L/R</p>  <p>Cove Base Outside Corner</p>	<p>Q3485</p>  <p>Cove Base</p>	<p>Q3485 L/R</p>  <p>Cove Base Outside Corner</p>	<p>Q3566</p>  <p>Flat Top Cove Base</p>
<p>Q3566 L/R</p>  <p>Flat Top Cove Base Outside Corner</p>	<p>Q3566 B</p>  <p>Flat Top Cove Base Inside Corner</p>	<p>Q1485 T</p>  <p>Stair Tread</p>	<p>Q8485</p>  <p>Transition Tile</p>

\*BARRIER FREE COMPONENTS 

## SIZES



### Metropolitan tiles are "Environment Friendly"

The body composition includes some recycled material. Metropolitan tile does not produce off-gassing associated with some flooring products. Metropolitan Ceramics products are long lasting, and when properly cared for will meet the most demanding applications with years of quality service. The look of a Metropolitan quarry tile installation can actually be enhanced over time when subjected to a scheduled maintenance program.

# QUARRY TILE

METROPOLITAN CERAMICS



# PERFORMANCE SPECIFICATION

# QUARRY TILE

# METROPOLITAN CERAMICS

By ANSI Standard Specification A137.1 Metropolitan Ceramics' unglazed tile is classified as quarry tile, however, the exceptional technical characteristics noted enable them to be used in virtually any application suitable for ceramic tile. Metropolitan Ceramics' unglazed tile meets both the ASTM standards, the ANSI A137.1 specification for quarry tile, and Metropolitan internal requirements as listed.

Specification	Test	Standard	Result
Abrasion Resistance	ASTM C501	Index of 35 or better	Metropolitan tests at >80 or better
Absorption 5-hour boil	ASTM C373	5%	Metropolitan tests at 3% maximum and qualifies as vitreous.
Breaking Strength	ASTM C648	Min. 250 lbs.	Metropolitan tests at 400 lbs. or better
Compressive Strength	ASTM C67	No industry standard	Metropolitan tests at 15,000 P.S.I. or better
Facial Size Variation	ASTM C499	Average facial dimension of each tile not to exceed 4% from nominal dimension(s)	Metropolitan meets the standard.
Freeze/Thaw	ASTM C67	No industry standard	ASTM test is 50 cycles.
	Metropolitan internal test	Metropolitan internal standard is 3,000 cycles.	
Shear Bond Strength	ASTM C482	50 P.S.I. or better	Metropolitan exceeds the standard.
Static Coefficient of Friction	ASTM C1028	No industry standard	At time of manufacture, all Metropolitan colors meet or exceed measure of 0.70 dry and 0.60 wet. Metropolitan X-COLORS and METRO TREAD (enhanced slip resisting products) meet or exceed 0.90 dry and 0.70 wet
Thickness	ASTM C499	Max. range of .050"	Metropolitan meets the standard.
Warpage	ASTM C485	Max. 1.5% along any edge. 1.0% on either diagonal.	Metropolitan meets the standard.
Wedging	ASTM C502	Max. 1.0%	Metropolitan meets the standard.

## New Line from Metropolitan Ceramics



### COLORS & TEXTURES OF NATURE

Down to Earth is a new commercial grade, naturally slip-resisting unglazed ceramic tile from Metropolitan Ceramics. Down to Earth has through-the-body flashed colors, distinct textures and unique sizing.



[www.downtoearthtile.com](http://www.downtoearthtile.com)

## Installation & Specification

A typical specification to assure the use of Metropolitan Ceramics' unglazed tile on your next job should be written as follows: Ceramic tile shall be SOMERSET™, QUARRYBASICS®, METRO TREAD®, ECO QUARRY™, METRO®E.S.Q or METRO®PAVERS as manufactured by Metropolitan Ceramics, Canton, Ohio 44711. The body composition shall be of the finest shale and clays producing a uniformly dense body with slip-resisting texture. Color shall be: Size shall be: Patterns: As per drawing. Grout: Compatible color, as approved by architect. Test results shall be available upon request.

For best installation results, we recommend that the following be included in the specifications: Nominal 3/8" joint widths. Mix tile from several cartons for best shading during installation. Use beating block to embed tile and align surfaces and edges. Clean colored grout with cheese cloth or toweling for uniform grout color and most uniform grout level and texture. Grout joints may be damaged by some acid cleaners. Test a small area first. Wet floor with clean water before applying any acid cleaner. Do not use any product containing Hydrofluoric acid since it will attack both grout and tile. See our web site for complete downloadable specification information.

## Cleaning & Maintenance

The secret to a successful tile maintenance program is to begin with a clean surface. It should be the responsibility of the tile installer to thoroughly clean and remove all the grout residue and the dulling film inherent in the installation process.

After initial clean up, a period should be allowed to permit proper curing--28 days for maximum grout hardness. Prior to this period, it is recommended that the installer mop the floor with a temporary coating solution of a neutral chemical cleaner in a ratio of one part cleaner to one part water. Neutral chemical cleaners both clean and enhance the natural soil-resisting character of Metropolitan Ceramics unglazed quarry tile. See our web site for complete downloadable cleaning and maintenance information.

## Warranty Information

Ironrock Capital, Inc., (Ironrock), warrants as limited below, that our products will meet the testing standards and specifications set forth in our current product literature. In the event of a defect or failure to conform to this written warranty, Ironrock Capital, Inc. will remedy shipment shortages and replace defective tile F.O.B. plant if timely notice of the defect is received by Ironrock prior to installation of the tile. Because specific installation details, structural design and environmental conditions are beyond Ironrock's control, we are not responsible for the performance of our products after they are installed except in the case of latent defects. Please see our web site for further details. [www.metroceramics.com](http://www.metroceramics.com)